

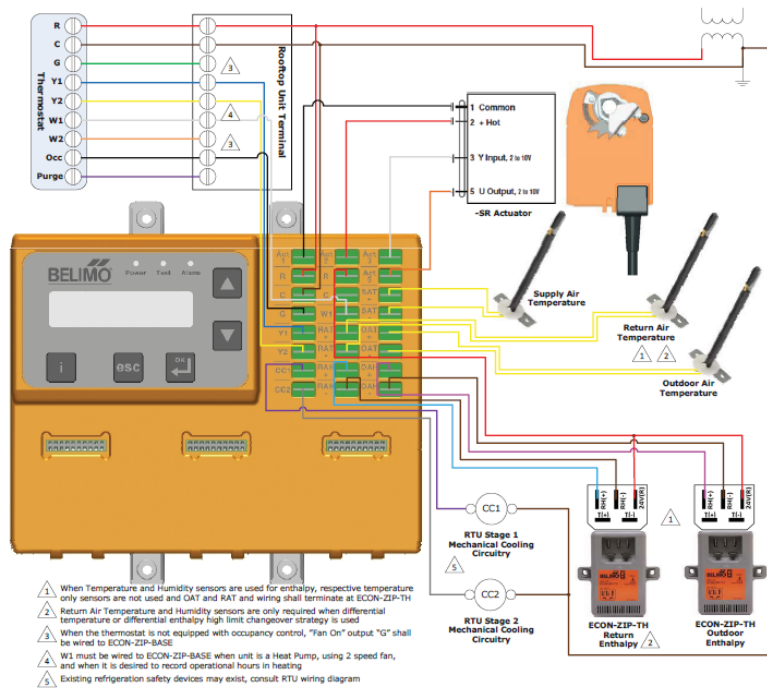


INTERSTATE ELECTRIC EQUIPMENT CO. INC.  
 30 VINELAND STREET BRIGHTON, MA. 02135  
 TEL. (617) 782-9000 FAX. (617) 254-2247

Wholesalers of HVAC Controls and Solutions since 1945

**Belimo Training – April 6<sup>TH</sup> 2018 – 2:00-4:00 Brighton, MA**

**Belimo Economizers, saving money has never been this easy. Join us for a two hour overview.**



Please reserve your FREE seat by emailing us [jeff@interstatecontrols.com](mailto:jeff@interstatecontrols.com)

