



INTERSTATE ELECTRIC EQUIPMENT CO. INC.  
30 VINELAND STREET BRIGHTON, MA. 02135  
TEL. (617) 782-9000 FAX. (617) 254-2247

Wholesalers of HVAC Controls and Solutions since 1945

# TRAINING

## HONEYWELL KEYPAD PROGRAMMING

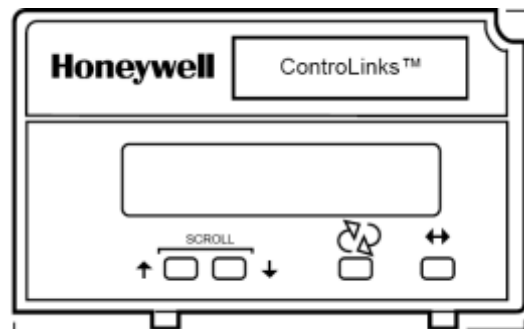
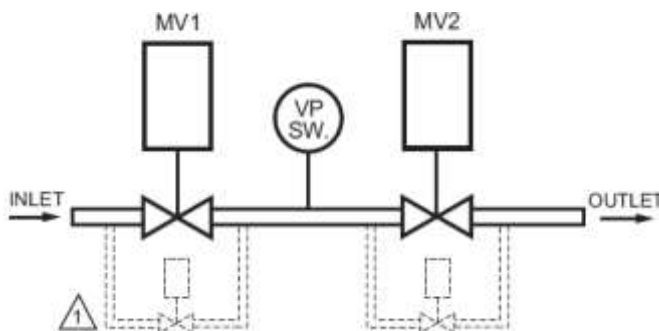
9/24/2014

*3:00pm to 4:00pm*

-and again at-

*4:00pm to 5:00pm*

This class is designed to review or introduce the advanced features offered by the S7800A1142 keypad.



Call or email for more information- [msm@interstatecontrols.com](mailto:msm@interstatecontrols.com)